

# Stepless<sup>™</sup>

by *Guldmann*

DK	LP12 Løfteplatform	2
GB	LP12 Lifting platform	12
S	LP12 Lyftplattform	22

Item no.  
190xx

<b>1.00</b>	<b>Purpose and Use</b>	<b>13</b>
1.01	Producer	13
1.02	Purpose and Use	13
1.03	Important/Warnings	13
1.04	Unpacking and preparation	14
1.05	Parts list	14
<b>2.00</b>	<b>Description of functions</b>	<b>14</b>
2.01	Labels	14
2.02	Operation	14
2.03	Brakes	15
2.04	Safety functions	16
2.05	Connecting the charger/charging	16
<b>3.00</b>	<b>Transportation</b>	<b>17</b>
3.01	How to transport LP12.	17
<b>4.00</b>	<b>Maintenance and Storage</b>	<b>17</b>
4.01	Cleaning	17
4.02	Storage	17
4.03	How to prevent/avoid corrosion?	17
4.04	What maintenance is required by the owner?	18
<b>5.00</b>	<b>Service and Useful Life</b>	<b>18</b>
5.01	Useful Life and Servicing	18
5.02	Battery and Fuses	18
5.03	Inspection – All-round	18
5.04	Trouble Shooting	19
<b>6.00</b>	<b>Technical Specifications</b>	<b>20</b>
<b>7.00</b>	<b>EC-declaration of conformity</b>	<b>21</b>

---

**1.00 Purpose and Use**

---

**1.01 Producer**

V. Guldmann A/S  
Graham Bells Vej 21-23A  
DK-8200 Aarhus N  
Denmark  
Tel. + 45 8741 3100  
Fax + 45 8741 3131

---

**1.02 Purpose and Use****Purpose**

The LP12 lifting platform is a mobile lifting platform which spans the distance as well as equalizes the differences of height between the railway station platform and the train.

**Conditions**

The LP12 lifting platform must not be put into service until the entire user's manual has been read.

**Use**

When moving the lifting platform, proceed as follows:

From a standing position, push/pull the lifting platform to set it in motion using your body weight.

When turning the lifting platform, it can be pulled to reduce the center of rotation.

Or, in places where space is restricted, the lifting platform can be pushed to reduce the turning radius.

---

**1.03 Important/Warnings**

- Do not exceed the max. load of 300 kg.
- The lifting platform is built for lifting wheelchair users.
- The lifting platform should only be used on an level surface.
- Always fasten the safety belts when lifting is in progress.
- Always make sure that the brakes of the lifting platform are applied during lifting and lowering.
- Be sure to stand clear of the lifting platform when it is being used.
- Avoid collision of the lifting platform with persons or objects.
- Do not use the lifting platform in places where it may come into contact with large quantities of water.

---

## 1.04 Unpacking and preparation

### Visual check of lift

Should the packaging be damaged on receipt, each part of LP12 must be carefully examined for visible defects or deficiencies. In case of suspected damage, do not use the lifting platform until authorised by qualified service staff or the Guldmann Service Team.

### Preparation of the lifting platform

Charge the batteries of the lifting platform, see under 1.10 on charging. After charging, the lifting platform is ready for use.

---

## 1.05 Parts list

1. Lifting platform LP12
2. Charger

---

## 2.00 Description of functions

---

### 2.01 Labels

- Chassis number
- 24V DC

---

### 2.02 Operation

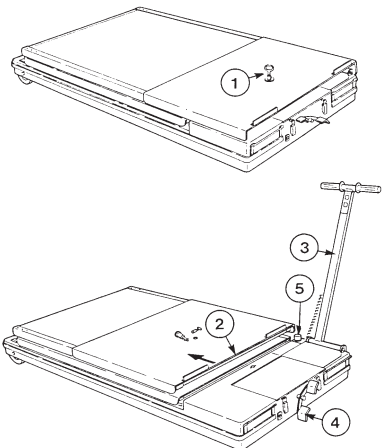
#### Operation and indicator light

The lifting platform will be switched on automatically when one of the buttons on the control panel is pressed. The green indicator light is switched on when the lifting platform is being used. The yellow or red indicator light will be switched on 10 to 15 seconds after the last lift has been carried out to indicate that the lifting platform is to be recharged.

#### Working the lifting platform

Unlock the lifting platform with a key (pos. 1). Lift up the front edge of the access ramp and push it towards the back (pos. 2) of the lifting platform, thus disengaging the lock which must be kept during the operation of the lifting platform.

Then raise the steering handle and turn it 90 degrees into steering position (pos. 3), release the brakes (pos. 4) by pressing down the right side of the brake pedal.

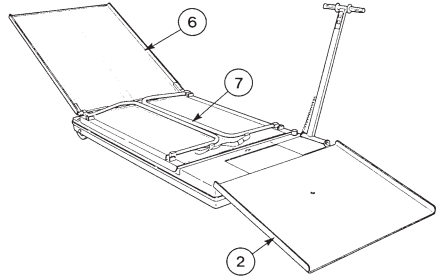


Place the front part of the lifting platform as close to the place of descent as possible. Activate the brakes (pos. 4) by pressing down the left side of the brake pedal. Always make sure that the brakes of the lifting platform are applied during lifting and lowering. Turn the steering handle (pos. 3) back to the starting position. Raise the rails (pos. 7), fit on the safety chain and loosen the safety belts.

**Important!**

Always fasten the safety belts when lifting is in progress.

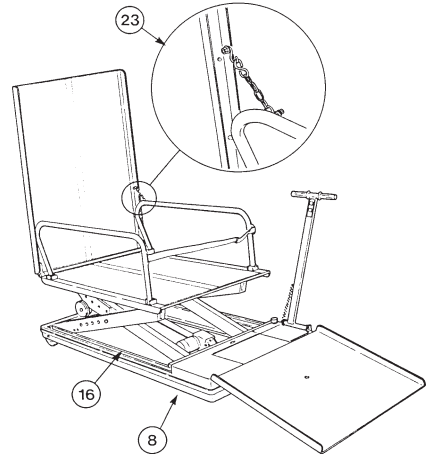
Release the emergency stop (pos. 5, page 14). Elevate the lifting platform to the height of the place of descent and then place the access ramp (pos. 6) onto the place of descent.



Unfasten the safety chain (pos. 23) when the lifting platform is level with the place of descent, and position the access ramp for the descent. Loosen the safety belts and descending can now take place.

Switch off the main power after use by means of the emergency stop to prevent loss of power.

**When in doubt about the use of the lifting platform, consult your supplier.**

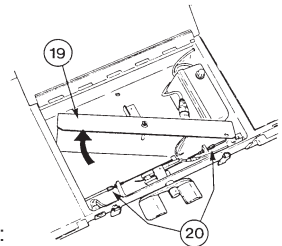


**2.03**

**Brakes**

The brakes are activated by pressing down the left side of the brake pedal and released by pressing down the right side of the brake pedal. Always make sure that the brakes of the lifting platform are applied during lifting and lowering.

The brakes are partly self-adjusting, but after having been used for some time, they will tend to “droop” and must be adjusted in the following way: Remove the cover (pos. 19). Turn the adjusting screws (pos. 20) so that the distance between the brake rod and the wheel is no more than 3 mm, see illustration under 4.04 (pos. 21). Release the brakes when making the adjustment.



**Important!**

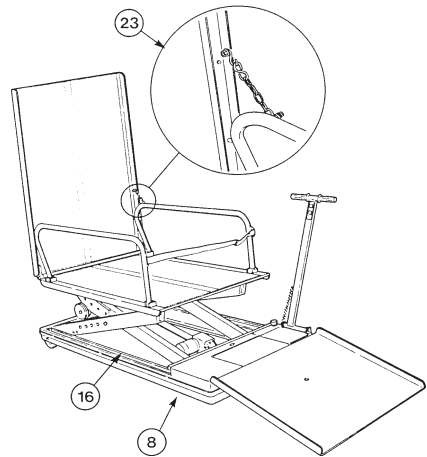
The emergency stop must only be used in case of failure/emergencies. The supplier should be contacted before the lifting platform is put into service again.

**Description of the emergency stop function**

If the lifting platform does not react to the control functions when it is in motion – Press the emergency stop device. When the emergency stop has been activated, all other functions of the lifting platform are put out of action.

**Description of the safety list function**

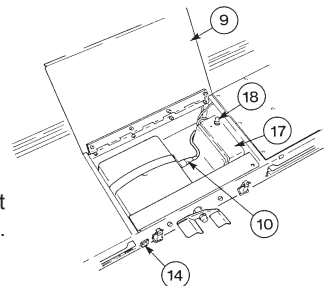
A safety edge (pos. 16) has been placed between the platform and the bottom frame to eliminate the risk of squeezing. If the safety edge is activated during lowering, the lowering of the platform will automatically stop and it will be elevated a little. The lifting platform cannot be lowered until the control button “UP” has been activated. If the safety edge is activated when the platform is not in motion, the platform will remain on the level on which it was stopped. When activating the control button “UP” the platform will function again.

**Connection of charger**

The charger must only be used in dry environments. Connect the male plug of the charger to the power outlet. Connect the other plug of the charger to the battery box. The plug has been marked with a label – 24 V DC.

**Charging**

The control panel of the steering handle has been fitted with a green, a yellow and a red indicator light. If the green indicator light is switched on, the batteries are fully charged. If the yellow or red indicator lights are switched on 10 to 15 seconds after a lift, the lifting platform should be recharged.



Remove the cover (pos. 9 ), pull out the plug (pos. 10), demount the battery box and move it to a dry place with an outlet, so that the battery can be recharged. Recharge the batteries of the lifting platform every night or when the lifting platform is not being used to ensure a long service life of the batteries. The charger will be switched off automatically when the batteries are fully charged.  
Maximum recharging time is 8 hours.

---

### **3.00            Transportation**

---

#### **3.01            How to transport LP12**

The lifting platform is fitted with wheels and can be pulled or pushed.  
The battery box can be removed and transported separately.

---

### **4.00            Maintenance and Storage**

---

#### **4.01            Cleaning**

Clean the lifting platform with a slightly damp cloth or a sponge using ordinary household detergents. If the battery box has been removed, clean the lifting platform with a soft brush using soapy water.  
Do not rinse the lifting platform with a water hose.  
Dry the lifting platform carefully before mounting the battery again.  
Clean the brakes and other parts on the underside of the lifting platform by means of compressed air.  
Do not use chemicals or autoclaving when cleaning the lifting platform.  
Wipe the charger with a dry cloth.

---

#### **4.02            Storage**

When storing the lifting platform, the battery box should be demounted and the batteries charged regularly.

---

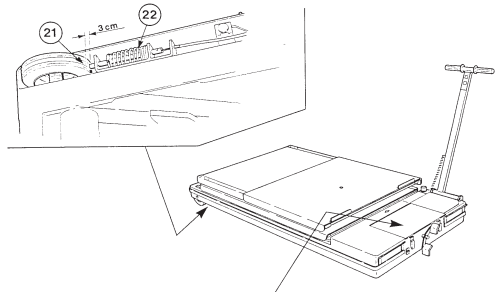
#### **4.03            How to prevent/avoid corrosion?**

The lifting platform has been made of corrosion-resistant materials and therefore it needs no further surface treatment.

---

**4.04****What maintenance is required by the owner?**

Lubricate the lifting platform with TRI-FLOW or a similar lubricant every six months or when needed. The parts to be lubricated are the brakes, wires and curve plates. (Illustration of pos.22).



---

**5.00****Service and Useful Life**

---

**5.01****Useful Life and Servicing**

The LP12 must be inspected in accordance with national law, and at least once a year. The service shall be carried out by a qualified service engineer or the Guldmann Service Team.

The LP12 has an expected life span of 15 years. The LP12 must then be assessed by qualified service staff as to its future use.

Spare parts lists and drawings are available from manufacturer or supplier.

---

**5.02****Battery and Fuses**

Change of batteries and fuses should be carried out by a service engineer or by the Guldmann Service Team.

---

**5.03****Inspection – All-round**

During the inspection a service report shall be made, describing what has been checked and exchanged. Worn or defective parts shall be replaced by new spareparts from V. Guldmann A/S.

1. Visual check of the product
  - Check the product for wear and tear
  - Check the product for any deformity
  - Check that the product does not show any other deficiencies
2. Test of the product, as during normal use
  - Check all functions on the product, with and without load (eg. Up, down, forward, backward, out and in)
  - Check the emergency lowering is operational
  - Check the emergency stop is operational
  - Check the charging indicator is operational



3. Check the electrical condition of the products
  - Check the batteries and measure the:
    - Input/Voltage
    - Output/Voltage
  - Check electrical functions and signals
  - Check all wirings for errors and defects
  - Check wire lead-ins
  - Check all possible connections, plugs etc.
4. Check the mechanical condition of the product
  - Clean the product for dirt and other impurities
  - Inspect and evaluate the vital parts of the product
  - Exchange defective and worn parts
  - Grease the product
5. Point 1.2 is carried out one more time as a control function
6. Have new errors or problems arisen in point 7?
  - If new problems have arisen, go back to point 3
  - If no problems have arisen, finish the inspection

---

## 5.04

### Trouble Shooting

#### **If the LP12 does not react when pressing the keys of the control panel?**

- Check that the emergency stop is not activated
- Check that the batterybox is properly connected
- Please contact your local Guldmann representative

#### **If the green light does not come on when pressing the keys of the hand control?**

- Check that the emergency stop is not activated
- Check that the batteries are charged
- Check if the hand control is faulty or if the LP12 has a blown fuse
- Please contact your local Guldmann representative

#### **If the red or yellow light is flashing after the LP12 has been recharged?**

- Check that the light on the charger is on when recharging
- Check that the charger is on
- Check that the charging plug have been connected properly to the charging station
- Please contact your local Guldmann representative

---

**6.00****Technical Specifications**

Dimension (W x H x L) . . . . .	825 x 255 x 1940 mm 32.5" x 10" x 76"
Lifting interval. . . . .	180-950 mm/7"- 37"
Maximum lifting capacity . . . . .	.300 kg/660 lbs
Lifting speed . . . . .	.20 - 25 mm pr. sec approx. 1" per sec
No. of lifts per charging . . . . .	.45
Pivot radius . . . . .	.2000 mm/79"
Total weight of LP12 . . . . .	107,0 kg/235 lbs
Electrical connection for charger . . . . .	230V (depending on national voltage standards)
Connection between charger and hoist. . . . .	24V DC
Charger, fully automatic. . . . .	24V DC/1 Ah
Charging time . . . . .	Max. 8 hours
Batteries, gasproof and free of maintenance . . . . .	2 pcs. 12V/7,0 Ah
Permitted periodic load . . . . .	10/90 (working time/breaks in percentages)



Guldmann™

## EC-DECLARATION OF CONFORMITY

Manufacturer V. Guldmann A/S  
 Graham Bells Vej 21-23A  
 DK-8200 Aarhus N  
 EAN country code: 57  
 EAN distribution No.: 07287  
 Phone +45 8741 3151  
 Fax +45 8741 3131

Representative Company  
 Address  
 Country  
 Phone

Hereby declare that Product **Lifting platform LP12**  
 Type No. **XXXXX-YYYY-ZZZZ <sup>x)</sup>**

x) XXXXX: Reference No. of the product, YYYY: Serial No. of the product in the production year,  
 ZZZZ: Production year

was manufactured in conformity with the provisions in:  
 The Council Directive 98/37/EEC of 22 June 1998

Skejby 01.03.05

Place and day of issue

Product responsible

  
 Technical Manager

# Stepless™

by *Guldmann*

**V. Guldmann A/S**

Head Office:

Graham Bells Vej 21-23A  
DK-8200 Arhus N

Tel. +45 8741 3100

Fax +45 8741 3131

E-mail [info@guldmann.com](mailto:info@guldmann.com)

[www.guldmann.com](http://www.guldmann.com)

**Guldmann Sverige AB**

Smålandsgatan 4

S-441 57 Alingsås

Tel. +46 0322 55290

Fax +46 0322 55320

E-mail [info@guldmann.se](mailto:info@guldmann.se)

[www.guldmann.se](http://www.guldmann.se)