



V. Guldmann A/S
 Graham Bells Vej 21-23A
 DK-8200 Århus N
 Tel. +45 8741 3100
 Fax +45 8741 3131
 info@guldmann.com
 www.guldmann.com

Guldmann Mobile lifter GL5 – 80 mm castors

Technical specifications

Functions

Lifting capacity, max	: 155/205 kg
Lifting speed with 85 kg load	: 36 mm/sec
Number of lifts per charging	: 50 lift with 85 kg
Lifting interval	: 1320 mm

Operation

Lift	: Electric
Width adjustment	: Electric

Weight

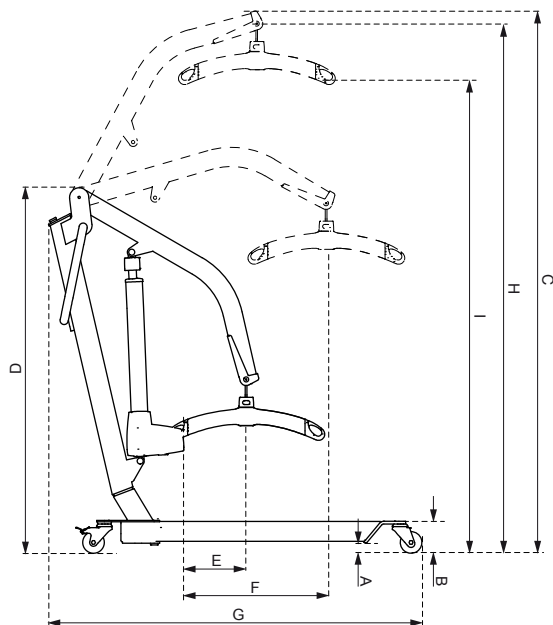
Totally	: 47 kg
Chassis	: 22 kg
Mast + lifting boom	: 21 kg
Lifting hanger	: 1,7 kg
Charger and Handcontrol	: 1,0 kg

Measurements

A.	: 39 mm
B.	: 118 mm
C.	: 1988 mm
D.	: 1207 mm
E.	: 229 mm
F.	: 518 mm
G.	: 1322 mm
H. min/max	: 640/1942 mm
I. min/max	: 431/1734 mm
J. min/max	: 572/994 mm
K. min/max	: 695/1111 mm

Turning radius

Chassis width, max	: 1388 mm
Chassis width, min	: 1295 mm



Safety Features

Emergency stop	: Yes
Emergency lowering	: Yes, electronic. Mechanical on request
Cut-out system	: Yes

Electrical parts

On/off	: Automatically
Power consumption	: 180 VA
Periodic load	: 2/18 min
Battery capacity	: 4 pcs. 12 V/2,1 Ah Gas-tight and maintenance free
Battery protection	: Switches off automatically at low voltage. Diode flashes to indicate critical voltage
Charger	: Fully automatic, included.
Charging time	: Max. 8 hours
Charger, primary	: 230/115 volt acc. to national voltage
Charger, secondary	: 24V DC/340 mAh

Class of tightness

Mobile hoist	: IP 32
Hand control	: IP 44

Accessories/Miscellaneous

Lifting hanger	: To be ordered separately
----------------	----------------------------

Labelling

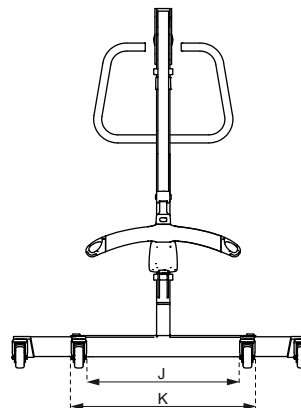
The product is manufactured in compliance with the Council Directive 93/42/EEC of June 14th 1993, including amendments, as medical device class 1.

Item Number/Model

553693	: 205 kg, 80 mm castors
553694	: 155 kg, 80 mm castors
553695	: 205 kg, 80 mm castors, manual lowering
553696	: 155 kg, 80 mm castors, manual lowering

Classified

acc. to ISO 9999	: 12 36 03
------------------	------------



Time to care