



**V. Guldmann A/S**  
Graham Bells Vej 21-23A  
DK-8200 Aarhus N  
Tel. +45 8741 3100  
Fax +45 8741 3131  
info@guldmann.com  
www.guldmann.com

## **GH1 F Lifting module**

### **Technical specifications**

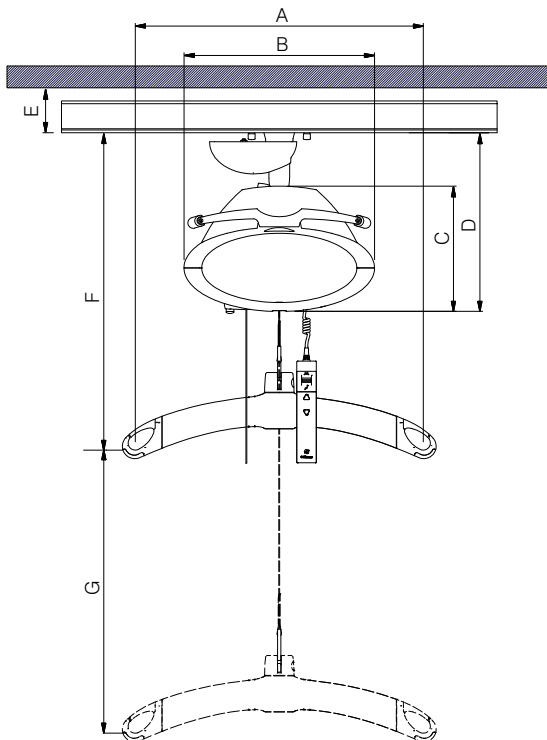
#### **Weight and materials**

SWL : 175 kg, 205 kg, 255 kg  
Lifting module : 11,0 kg  
Lifting module  
incl. Trolley : 12,2 kg

Covers, top and bottom : Impact-resistant UL 94 V-0 flame  
retardant recyclable plastic

#### **Dimensions**

A : 530 mm  
B : 350 mm  
C : 230 mm  
D : 330 mm  
E, min : 83 mm  
F, min : 580 mm  
G : 2500 mm  
Depth of hoist : 194 mm



#### **Functions**

Operation : Hand control  
Sound level : 52 dB (A)

#### **Safety**

Emergency stop : Yes  
Emergency lowering  
device : Yes, electrical  
Control of lifting strap : Yes  
Cut-off angle : 45° along the rail  
10° across the rail

#### **Electronics**

On/off : Automatic when used. Soft start/stop.  
Overload protection.  
Battery : 1 x 24 V NiMH, 2,8 Ah  
Max charge time : 3 hours  
Battery protection : At battery voltage below 22 V the indi-  
cator light turns yellow. The hoist stops  
if the voltage falls below 20 V  
Power supply : 36 V DC, 0.83 A  
Supply voltage,  
transformer : 100-240V AC, 47-63 Hz

#### **Protection classification (IP) according to IEC 60529**

Lifting module : IP 20  
Hand control : IP 42

#### **Labelling**

The product is manufactured in compliance with the Council  
Directive 93/42/EEC of June 14th 1993, including amendments,  
as medical device class 1.

#### **Classification**

Pursuant to ISO 9999

#### **Patents**

: PA 2008 00888  
PA 2008 00894  
PA 2008 00895

**Time to care**

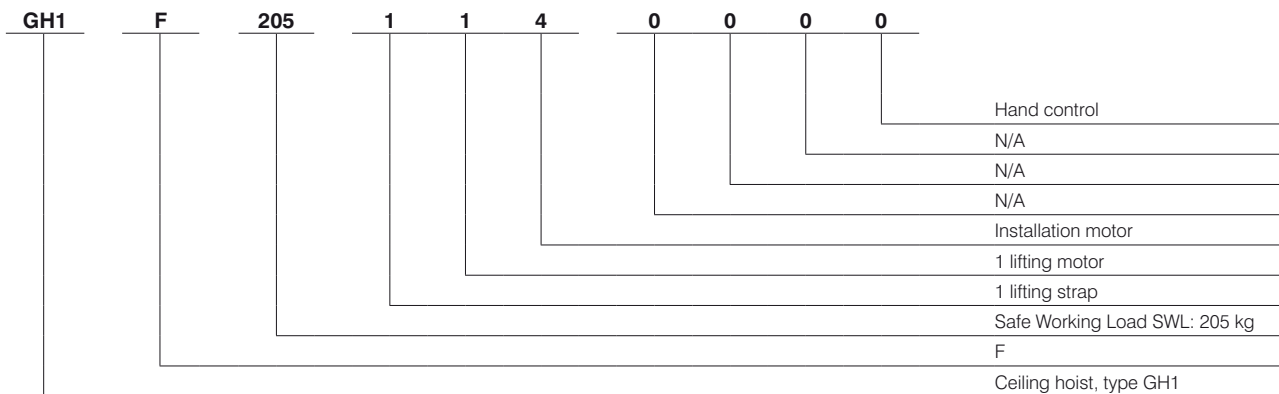


## GH1 F Lifting module Technical specifications

GH1 F Lifting modules, configurations									
Guldmann hoist type	Product line	Load in kg	Number of lifting straps	Number of lifting motors	Additional functions	Scale module	CLM module	Service module	User interface
GH1	(x)	xxx	x	x	x	x	x	x	x
GH1	F	175	1	1	4				0
		205	1	1	4				
		255	1	1	4				

### Example: GH1 F 205 114 0000

GH1	F	205	1	1	4	0	0	0	0
-----	---	-----	---	---	---	---	---	---	---



### Lifting speed

85 kg load : 40 mm/sec.  
 150 kg load : 40 mm/sec.  
 Max capacity load, SWL : 40 mm/sec.  
 Max. 5 kg kg load : 80 mm/sec.

### Number of lift and Intermittent

Max. number of lifts  
 in series : 55 with 85 kg/1000 mm  
 Charging time : 3 hours  
 Intermittent : 20/80, 4 hours

Max. number of lifts  
 in series : 44 with 175 kg/1000 mm  
 36 with 205 kg/1000 mm  
 28 with 255 kg/1000 mm

Charging time : 3 hours  
 Intermittent : 10/90, 4 hours



V. Guldmann A/S  
Graham Bells Vej 21-23A  
DK-8200 Aarhus N  
Tel. +45 8741 3100  
Fax +45 8741 3131  
info@guldmann.com  
www.guldmann.com

## Trolley and transport trolley for GH1 F Technical specifications

### Trolley for GH1 F

#### Functions

Max. load : 255 kg

#### Weight

Travelling trolley : 1.2 kg

#### Measurements

A : 98 mm  
B : 166 mm  
C\*, max. : 2800 mm  
D, min. : 650 mm  
D, max. : 750 mm  
Depth of travelling trolley : 84 mm

### Transport trolley for GH1 F

#### Functions

Capacity, bag : 2-3 slings  
2-3 lifting hangers

Capacity, max. : 25 kg

#### Weight

Trolley including bag : 10.4 kg

#### Measurements

A : 1005 mm  
B : 735 mm  
Depth of transport trolley : 485 mm

\*Cord length C adapted to height of rail during installation

